

# Space Saver

A highly energy efficient fan convector that fits neatly into the plinth of a kitchen unit. Space Saver eliminates the need for conventional radiators. And, as its name implies, this brings considerable space saving benefits - more room for extra storage units, more work surfaces, more space for kitchen appliances.

Space Saver is used predominantly for domestic applications where the ingenious plinth-mounting feature makes it ideal for heating kitchens and utility rooms. Plinth mounting also makes Space Saver ideal for certain non-domestic applications such as reception areas, changing rooms, libraries, etc.



Model	Room Size Guide* (m <sup>2</sup> )	Heat Output at 80°C		Heat Output at 75°C		Heat Output at 70°C		Heat Output at 65°C	
		Normal kW (Btu/h)	Boost kW (Btu/h)	Normal kW (Btu/h)	Boost kW (Btu/h)	Normal kW (Btu/h)	Boost kW (Btu/h)	Normal kW (Btu/h)	Boost kW (Btu/h)
<b>Hydronic</b>									
SS9	63	2.2 (7500)	2.4 (8200)	2.1 (7000)	2.2 (7500)	1.8 (6300)	2.0 (6900)	1.7 (5900)	1.8 (6300)
SS7	46	1.6 (5500)	1.9 (6500)	1.4 (4800)	1.8 (6100)	1.3 (4400)	1.6 (5500)	1.2 (4100)	1.5 (5000)
SS5	37	1.3 (4400)	1.7 (5800)	1.2 (4100)	1.6 (5500)	1.1 (3800)	1.4 (4700)	1.0 (3400)	1.3 (4400)
SS3 (Improved heat output)	31	1.1 (3800)	1.4 (4800)	1.0 (3400)	1.3 (4400)	0.9 (3100)	1.2 (4100)	0.8 (2700)	1.1 (3800)
<b>Hydronic Low Voltage</b>									
SS5 12V	33	1.3 (4400)	1.7 (5800)	1.2 (4100)	1.6 (5500)	1.1 (3800)	1.4 (4700)	1.0 (3400)	1.3 (4400)
<b>Hydronic/Electric (Dual)</b>									
SS5 Dual	37	1.3 (4400)	1.7 (5800)	1.2 (4100)	1.6 (5500)	1.1 (3800)	1.4 (4700)	1.0 (3400)	1.3 (4400)
	29	1.0	-	1.0	-	1.0	-	1.0	-

Model	Room Size Guide* (m <sup>2</sup> )	Heat Output at 60°C		Heat Output at 55°C		Heat Output at 50°C		Heat Output at 45°C	
		Normal kW (Btu/h)	Boost kW (Btu/h)	Normal kW (Btu/h)	Boost kW (Btu/h)	Normal kW (Btu/h)	Boost kW (Btu/h)	Normal kW (Btu/h)	Boost kW (Btu/h)
<b>Hydronic</b>									
SS9	63	1.5 (5200)	1.7 (5700)	1.3 (4500)	1.5 (5000)	1.1 (3900)	1.3 (4300)	0.9 (3200)	1.1 (3700)
SS7	46	1.1 (3800)	1.3 (4500)	1.0 (3400)	1.2 (4000)	0.9 (3100)	1.0 (3400)	0.8 (2700)	0.9 (3000)
SS5	37	0.9 (3100)	1.1 (3800)	0.8 (2700)	1.0 (3400)	0.7 (2400)	0.9 (3100)	0.6 (2000)	0.8 (2700)
SS3 (Improved heat output)	31	0.7 (2400)	1.0 (3400)	0.6 (2000)	0.9 (3100)	0.5 (1700)	0.8 (2700)	0.4 (1400)	0.7 (2400)
<b>Hydronic Low Voltage</b>									
SS5 12V	33	0.9 (3100)	1.1 (3800)	0.8 (2700)	1.0 (3400)	0.7 (2400)	0.9 (3100)	0.6 (2000)	0.8 (2700)
<b>Hydronic/Electric (Dual)</b>									
SS5 Dual	37	0.9 (3100)	1.1 (3800)	0.8 (2700)	1.0 (3400)	0.7 (2400)	0.9 (3100)	0.6 (2000)	0.8 (2700)
	29	1.0	-	1.0	-	1.0	-	1.0	-

■ In hydronic mode    ■ In electric mode

\*Room sizes given in cubic metres for general guidance only based on normal heat output (80°C) for domestic applications - always calculate heat losses. Heat outputs tested in accordance with BS 4856 using entering water temperature. Fan-only option operational only when central heating system is switched off. Dual models include an electric element which in electric heating mode will emit 1kW of heat.

Model	Room Size Guide* (m <sup>3</sup> )	Heat Output at 40°C	
		Normal kW (Btu/h)	Boost kW (Btu/h)
<b>Hydronic</b>			
SS9	63	0.7 (2500)	0.9 (3000)
SS7	46	0.6 (2000)	0.8 (2700)
SS5	37	0.5 (1700)	0.7 (2400)
SS3 (Improved heat output)	31	0.3 (1000)	0.6 (2000)
<b>Hydronic Low Voltage</b>			
SS5 12V	33	0.5 (1700)	0.7 (2400)
<b>Hydronic/Electric (Dual)</b>			
SS5 Dual	37	0.5 (1700)	0.7 (2400)
	29	1.0	-

■ In hydronic mode    ■ In electric mode

\*Room sizes given in cubic metres for general guidance only based on normal heat output (80°C) for domestic applications - always calculate heat losses. Heat outputs tested in accordance with BS 4856 using entering water temperature. Fan-only option operational only when central heating system is switched off. Dual models include an electric element which in electric heating mode will emit 1kW of heat.

Model	Room Size Guide* (m <sup>3</sup> )	Sound Levels		Fascia Grille Finish**	Fan-Only
		Normal (dBA)	Boost (dBA)		
<b>Hydronic</b>					
SS9	63	41	46	Brushed Steel	•
SS7	46	30	44	Brushed Steel	•
SS5	37	27	43	Brushed Steel	•
SS3	31	26	39	Brushed Steel	•
<b>Hydronic Low Voltage</b>					
SS5 12V	33	31	39	Brushed Steel	•
<b>Hydronic/Electric (Dual)</b>					
SS5 Dual	37	27	43	Brushed Steel	•

Sound levels measured at 1.5m.

**Fascia Grille Finish\*\*** Zinc coated steel polyester, powder-coated - metallic silver (referred to as Brushed Steel).

Model	Flow & Return Connections	Mains Cable	Transformer	Flexible Hoses	Isolating Valves	Fused Spur	Power Consumption		Water Capacity (Litres)
							Normal (Watts)	Boost (Watts)	
<b>Hydronic</b>									
SS9	15mm	2.0m	n/a	•	n/a	3A	24	35	0.43
SS7	15mm	2.0m	n/a	•	n/a	3A	21	30	0.38
SS5	15mm	2.0m	n/a	•	n/a	3A	21	30	0.36
SS3	15mm	2.0m	n/a	n/a	n/a	3A	21	30	0.36
<b>Hydronic Low Voltage</b>									
SS5 12V	15mm	0.45m	•	•	n/a	3A	21	30	0.36
<b>Hydronic/Electric (Dual)</b>									
SS5 Dual	15mm	2.0m	n/a	•	n/a	5A	21	30	0.36
							1012	1018	n/a

■ In hydronic mode    ■ In electric mode

# Space Saver

## Accessories



Wall-mounted room thermostat



Wall-mounted on/off switch



Brown



Gold



Black



Chrome



White

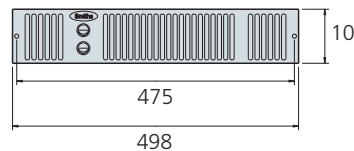
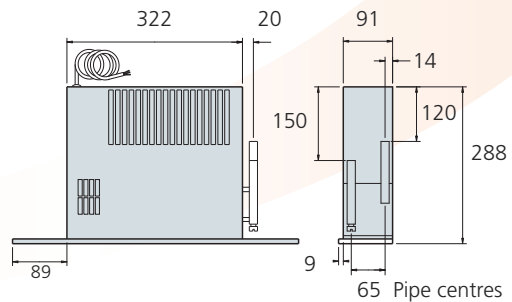


Aluminium

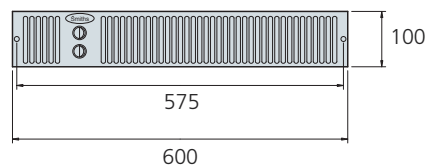
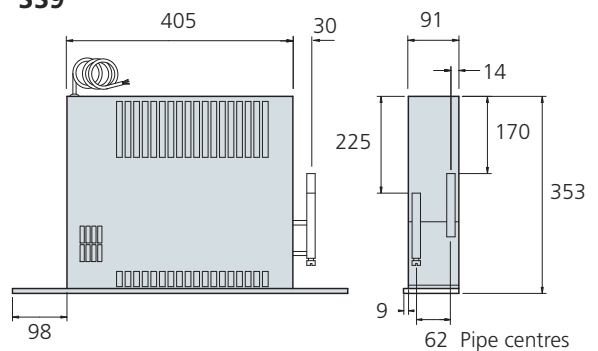
### Alternative Grille Finishes

Space Saver models are supplied with a detachable brushed steel fascia grille. Fascia grilles are also available in the above colours.

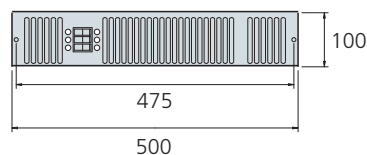
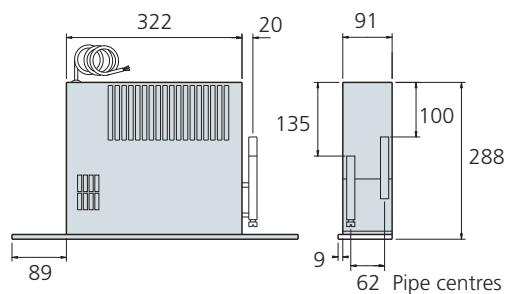
## SS3, SS5, SS5 12V, SS7



## SS9



## SS5 Dual



All dimensions in mm

## Space Saver

### Fascia Grille Finish\*\*

Zinc coated steel polyester, powder coated - metallic silver (referred to as Brushed Steel)

### Installation

Important: Correct fascia grille opening must be cut to allow sufficient air intake

- 20mm clearance above unit required
- Model secured to plinth by two screws through fascia grille
- Unit must be earthed (not 12 volt SELV)
- Suitable for two-pipe central heating systems only

### Accessories

Wall-mounted room thermostat

Grilles: brown - RAL 8016, black - RAL 9005, white - RAL 9010, chrome, aluminium, gold

Supplied grille (brushed steel) is removable for all models except SS2E. Alternative grilles for SS2E fit over the supplied grille

Wall mounted control switch (white) to suit SS2E

Wall mounted control switch (white) to suit SS3, SS5, SS5/12V, SS7, SS9

### Commissioning

Check water temperature is hot enough to activate low temperature cut-out thermostat (LTC). Vent screw accessible through fascia grille

### Controls

SS2E: three rocker switches - fan-off/fan-only, 1kW, 2kW

Overheat protection: thermal cut-out. Manual reset procedure: switch power off at unit or mains, wait 5 minutes, switch power on  
SS5 W/Dual: three rocker switches, heating/off/fan-only, hydronic/electric, normal/boost

Low temperature cut-out thermostat set to energise fan at approximately 35°C

All other models: two rocker switches -normal/off/boost, heating/fan-only

Low temperature cut-out thermostat set to energise fan at approximately 35°C